

UDC 669.14-423.1-12 : 621.798.133

January 1976

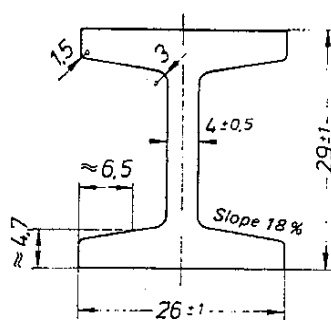
Means of Packaging
 Rolled I-steel for Drums
 Dimensions

DIN
 6634

Packmittel; Gewalzter I-Stahl für Fässer; Masse

Dimensions in mm

Rolled I-steel (hoops) according to this Standard are used mainly for hooped drums ¹⁾ according to DIN 6643 Part 1.



Designation of a rolled I-steel of 29 mm height and 26 mm width:

I-steel 29 x 26 DIN 6634

Material: USt 37-2 according to DIN 17 100

Mode of delivery: by agreement

Weight: ≈ 2.65 kg/m

¹⁾ For definitions see DIN 55 405