

UDC 621.882.31

August 1971

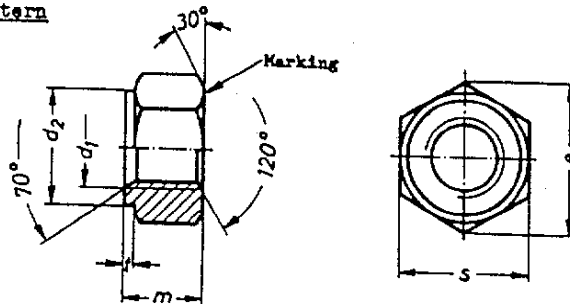
Hexagon nuts for use with bolts
with waisted shank

DIN
2510
Part 5

Schraubenverbindungen mit Dehnkraft; Sechskantmuttern

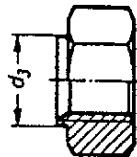
Dimensions in mm

Type NF regular pattern



Nuts countersunk on both sides down to the thread diameter

Type TF for internal centring using extension sleeve Type D according to DIN 2510 Part 7



other dimensions and details as for Type NF

Designation of a hexagon nut Type NF with thread $d_1 = M 30$ in 24CrMo5 (code letter G¹):
Hexagon nut NF M 30 DIN 2510 - 24CrMo5

Thread d_1	M 12	M 16	M 20	M 24	M 27	M 30	M 33	M 36	M 39	M 42	M 45	M 48	M 52	M 56	
d_2	21	26	31	35	40	45	49	53,5	58,5	63,5	68,5	73,5	78,5	83,5	
d_3	14,5	18,5	22,5	26,5	30,5	33,5	36,5	39,5	42,5	45,5	49,5	53,5	57,5	63	
e min.	mg	23,91	29,56	35,03	39,55	45,20	50,85	55,37	60,79	66,44	72,09	77,74	83,39	89,04	94,67
	m	24,49	30,14	35,72	39,98	45,63	51,28	55,80	61,31	66,96	72,61	78,26	83,91	89,56	95,07
m	12	16	20	24	27	30	33	36	39	42	45	48	52	56	
s	22	27	32	36	41	46	50	55	60	65	70	75	80	85	
t	2	2	2	3	3	3	3	3	3	3	3	4	4	4	
Weight kg/1000 pieces	31	52	86	124	181	260	330	425	560	705	900	1120	1340	1590	

Bracketed sizes should be avoided where possible.

Continuation of Table on page 2

1) see page 2

For Explanations see DIN 2510 Part 1

Continued on page 2

Continuation of Table of page 1

Thread d_1	M 64	M 72x6	M 80x6	M 90x6	M 100x6	M 110x6	(M 120x6)	M 125x8	M 140x8	(M 150x8)	M 160x8	(M 170x8)	M 180x8
d_2	93,5	103,5	113,5	128	143	153	168	178	198	208	218	228	253
d_3	71	79	87	97	107	119	129	134	149	159	174	180	196
r	mg	103,77	117,07	128,37	143,09	162,04	173,34	190,30	202,27	223,91	235,21	—	—
r	min.	m	106,37	117,67	129,34	145,77	162,74	174,02	191,49	201,99	224,70	236,00	247,30
m		64	72	80	90	100	110	120	125	140	150	160	170
s		95	105	115	130	145	155	170	180	200	210	220	230
t		4	4	4	4	5	5	5	5	5	5	5	5
Weight kg/1000 pieces \approx		2230	2980	3630	5350	7700	9230	13 100	14 900	20 100	22 800	26 000	29 400
													41 000

Technical conditions of delivery and materials according to DIN 267 Part 13

TYPE: mg according to DIN 267 Part 13

m only to special order. The designation in this case reads, e.g.:

Hexagon nut NF M 30 DIN 2510 - m - 24CrMo5

Marking: according to DIN 267 Part 13

The marking must not be applied to the bearing face, but instead should preferably be placed on the end face.

1) Instead of the code number the code letter of the material may also be stated in the designation. In such cases the designation reads, e.g.:

Hexagon nut NF M 30 DIN 2510 - g