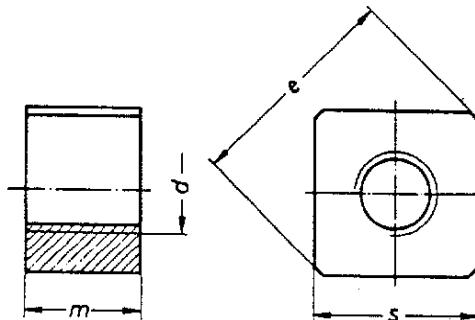


Special Foundation Nuts
for Special Foundation Bolts according to DIN 797

DIN
798

Ankermuttern für Ankerschrauben nach DIN 797

Dimensions in mm



Designation of a special foundation nut with thread $d = M 30$:

Special foundation nut M 30 DIN 798

d	m	s	e	Weight (7,85 kg/dm ³) kg/1000 pieces ≈
M 24	30	50	65	495
M 30	38	60	80	980
M 36	45	70	92	1 550
M 42	53	80	105	2 350
M 48	60	90	118	3 320
M 56	70	100	132	4 250
M 64	80	110	145	5 600
M 72 × 6	90	120	160	7 400
M 80 × 6	100	130	170	9 500
M 90 × 6	112	145	190	13 800
M 100 × 6	125	165	220	19 400

Technical conditions of delivery according to DIN 267

Strength category or material: 5 according to DIN 267 Part 4

Other strength categories or materials by special agreement.

Type: g according to DIN 267 Part 2

If surface protection is desired, the designation shall be augmented according to DIN 267 Part 9 or Part 10*).

*) At present still circulating as draft